

Veronex Case with Membrane Top

Vero Technologies has introduced a new size of its popular and stylish Veronex hand-held case family, sized to accept today's industry Character and Dot Matrix standard display modules. The maximum viewable width of the display is 70mm with an 82.5mm PCB, enabling the great majority of units from the leading manufacturers to be housed. The new hand-held unit measures 150 x 90 x 30 mm; the top cover is furnished with a recessed area to accept a 70 x 137 mm membrane keypad.

Two plastic end panels, held in place without fixings when the unit is assembled, provide I/O facilities at each end of the enclosure. The internal fixing pillars are placed as wide as possible to give maximum width end panels so accommodate a large number of i/o connectors.

Features

- Handles large dot matrix and character display such as a 24 x 2
- Easy i/o at both ends of enclosure
- Wide internal end openings to allow max width for connector i/o
- Orientation marks internally for easy assembly
- EMC and colour options
- Custom machining and silk screen printing to your requirements, in house

Technical Information

- Max size of internal pcb: A dxf file can be downloaded from the web site
- Max width of Display PCB is 83.5 mm
- Max width of display cut out is 70 mm.
- Material: ABS UL94-V0
- Colour of enclosure: RAL 7035
- Colour of end panels: RAL 7037

How to Use

The area on the top for the membrane switch is 137.21 x 70.0 mm. The aperture for the display can be cut to the correct size at any place on the top to suit your design (we can do this for you). The membrane switch can then be applied over the surface.

For extra protection of the display, a transparent plastic sheet can be cut to the display dimensions and glued in position in the aperture.

Contents of kit

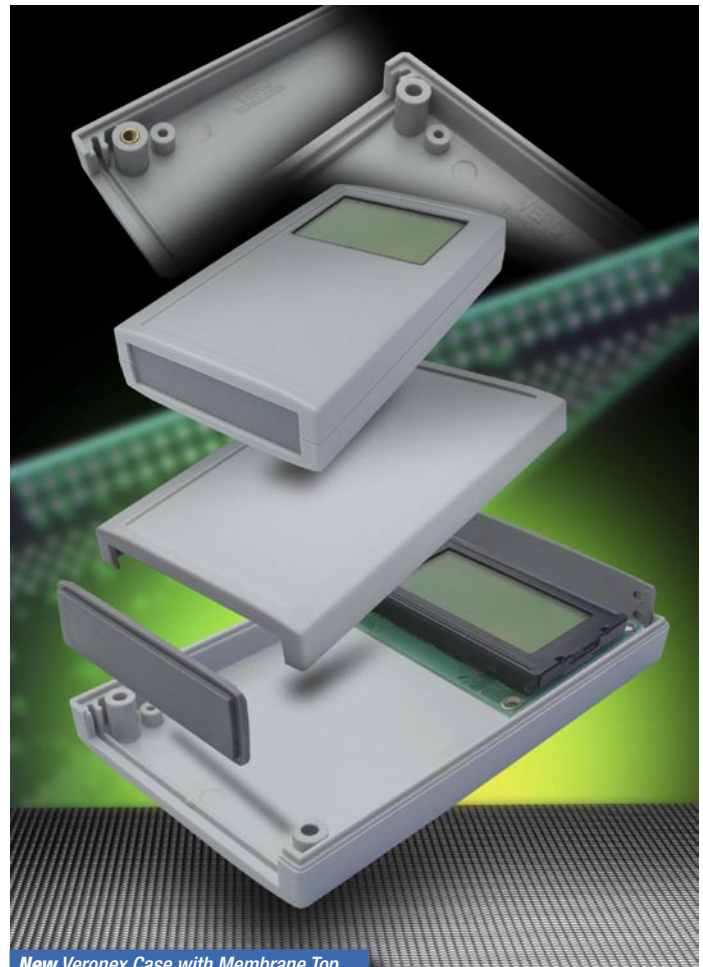
- 1 Base Moulding 2 end panels 4 Case fixing screws
- 1 Top moulding 4 self tapping pcb screws

Other services

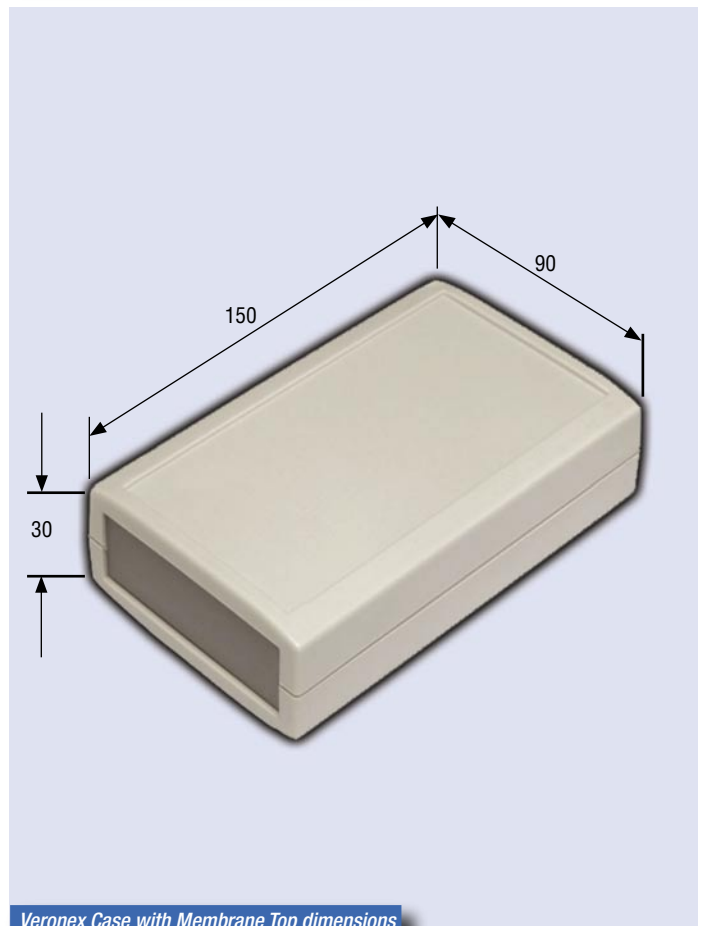
The additional options that can be provided are:-

- EMC screening
- Custom colours to your RAL specified colour
- Machining of the end panels and the box to allow for i/o connectors etc.
- Silk screen printing

Veronex case		Ordering information
Description	Unit of Sale	Order code
Veronex case with membrane top	Kit	75-228118



New Veronex Case with Membrane Top



Veronex Case with Membrane Top dimensions